

Nachdruck und Vervielfältigungen jeder Art, auch auszugsweise, sind ohne schriftliche Genehmigung untersagt. Copyright © 1997-2017, by Bernd Jacobi - Multipick.

Unauthorized Copying, Reproduction or Republishing any of the material without written consent is strictly prohibited. Copyright © 1997-2017, by Bernd Jacobi - Multipick.

Reproductions de toutes sortes, y compris des extraits, sont interdites sans accord par écrit. Copyright © 1997-2017, by Bernd Jacobi - Multipick.

Senza l'autorizzazione per iscritto, sono proibite qualsiasi ristampe, riproduzioni o duplicati anche per estratto. Copyright © 1997-2017, presso Bernd Jacobi - Multipick.

Queda totalmente prohibida la copia de gráficos y textos sin autorización. Copyright © 1997-2017, by Bernd Jacobi - Multipick.

Przedrukowywanie i kopiowanie całości bądź fragmentów bez pisemnej zgody zabronione. Copyright © 1997-2017, by Bernd Jacobi - Multipick.

[www.multipick.com](http://www.multipick.com)

SELLER

STAMP / DATE

## Instructions MULTIPICK KRONOS

Valid as from: 3/2017

Distributed by:  
Multipick

[multipick.com](http://multipick.com)  
[en@multipick.com](mailto:en@multipick.com)



### 1.0.0 Introduction

- These instructions have to be available for the user at any time.
- These instructions should facilitate:
  - getting to know then MULTIPICK KRONOS,
  - using the MULTIPICK KRONOS according to regulations,
  - using the MULTIPICK KRONOS in an optimal way.
- Please read these instructions carefully!  
They contain important indications to use MULTIPICK KRONOS:
  - safely and
  - appropriately.
- Their observation is warranty for:
  - user's safety
  - prevention of dangerous situations
  - perfect operation of MULTIPICK KRONOS.
- We assume no liability for damages and malfunctions resulting from non-observation of these instructions.

### 1.1.0 Warranty

Warranty regulations apply according to our General Terms and Conditions (GTC), in the at delivery valid version.

### 1.2.0 Disclaimer



- Using MULTIPICK KRONOS without knowledge or training / introduction is not reasonable.
- The company Multipick assumes no liability for damages and costs resulting from inappropriate use.
- The use of MULTIPICK KRONOS is authorized exclusively For commercial and legal application.

## 2.0.0 Safety – Accident prevention

### 2.1.0 Warnings and special indications

In the instructions we use the following appellations for safety and indications:



Indicates a direct imminent danger.  
By disregarding the indication there is risk of death or severe injuries.



Indicates a possibly dangerous situation.  
By disregarding the indication there is risk of severe injuries.



Situation. By disregarding the indication there is risk of minor injuries.



Special imperatives and interdictions for damage prevention



Special indications regarding the economical use and important additional information

### 2.2.0 Use according to regulations

- MULTIPICK KRONOS is only to be used for cylinder lock opening.  
Any other and beyond use is not according to regulations!  
The producer/distributor declines responsibility for any here from resulting damages. Only the user bears the risk.
- Before using MULTIPICK KRONOS beyond the described the range of application, the Multipick customer service has to be consulted since otherwise warranty is inapplicable.
- Use according to regulations includes observation of instructions.
- MULTIPICK KRONOS is to be used, serviced and repaired by trained persons only.
- MULTIPICK KRONOS is to be used with original pieces of Multipick only.



On incorrect operation or misuse there is risk of damage for: - material assets - the efficient work of MULTIPICK KRONOS

### 2.3.0 Inappropriate use

- Using product without instructions
- Using beyond range of application (legal use etc.)
- Opening MUTLIPCIK KRONOS
- Deliberate careless or reckless manipulation of the product
- Offense to third parties

### 2.4.0 Safety hazards – Accident prevention

MULTIPICK KRONOS has been constructed according to state of art and the approved regulations of technical safety. Observation of the industrial safety and accident prevention rules is taken for granted. Do not touch mobile parts while product is running. There is danger of injuries!



- NEVER store the device unattended and reachable for children.
- NEVER remove safety devices or close them down by modification.
- Using MULTIPICK KRONOS with technical defects is prohibited.
- Always use the original parts of the company Multipick  
Only these correspond to the defined technical requirements.

### 2.4.1 Behaviour in emergency situations

By releasing the control button all movement will stop.

### 2.5.0 Noise emission

The equivalent A-weighted continuous sound level is under 70 dB (A).

### 3.0.0 Technical data

#### 3.1.0 Dimensions, weight etc.

Length: .....205 mm  
Diameter: ..... 34 mm  
Weight incl. battery: .....0,350 kg  
No-load speed: .....13.000 U/min  
Needle deflexion at the end of the needle holder:..... 1 - 4 mm

#### 3.2.0 Battery

Lithium-Ion battery ..... 3,7 V, 2.900 mA

#### 3.2.1 Charging battery



- MULTIPICK KRONOS comes with a protected Lithium Ion battery.
- As soon as motor rotation is ceases noticeably, immediately replace battery with fully loaded one.
- Never drain battery completely. This would destroy the battery. In order to obtain an optimal charging result, always charge a battery with the included charger.



- Always use the original parts of the company Multipick  
Only these correspond to the defined technical requirements.



#### 4.0.0 CE-mark

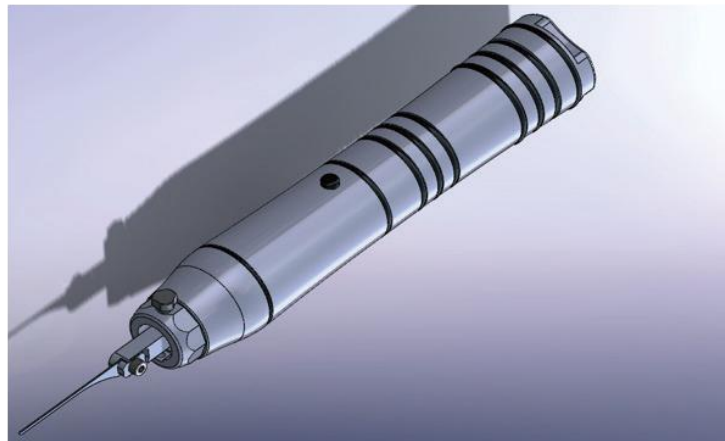
MULTIPICK KRONOS is constructed in accordance with the currently valid EC Directives and is branded with the CE-mark. The included conformity declaration loses validity if MULTIPICK KRONOS is converted or modified without our approval.



#### 5.0.0 Contents of MULTIPICK Kronos

- 1 Electric pick gun KRONOS
- 1 Li-Ion battery 3.7 V / 2900 mAh
- 1 Charging cradle including charger cable for USB-ports  
(without power supply unit)
- 5 Elite pick needles 0.5 mm
- 1 ELITE Tension tool - 03
- 1 ELITE Tension tool - 06
- 1 Allen key for changing pick needles

#### 5.1.0 Summary of advantages of MULTIPICK KRONOS



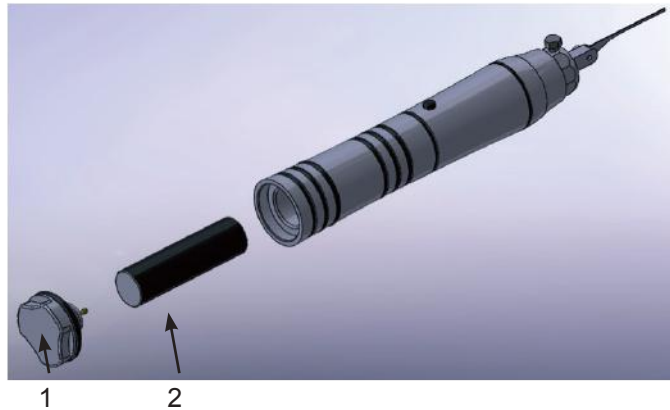
- Top price-performance ratio
- Light construction from finest aluminium
- Quiet and low-noise run
- Very precisely adjustable amplitude deflexion
- Latest Li-Ion battery-technology inclusive quick-change system
- Usable with all Multipick ELITE pick needles
- Ergonomic shape
- Made in Germany
- Two years warranty

## 5.2.0 Warranty

Warranty for MULTIPICK KRONOS is two years from purchase date.

## 6.0.0 Using MULTIPICK KRONOS

### 6.1.0 Place battery



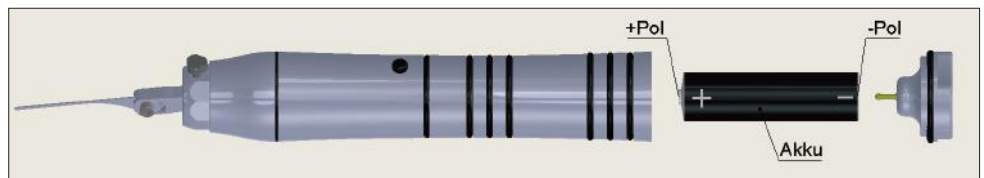
To place the battery you unscrew the screw cap. Now you may place the battery. Take care of + and – pole. The positive pole must show inside the device. The screw cap is the negative pole.

To place the battery (2) please proceed as follows:

- 1. Unscrew the screw cap with the battery contact (1).**
- 2. Insert the Li-Ion battery (2).**
- 3. Screw on the screw cap (1), ready.**

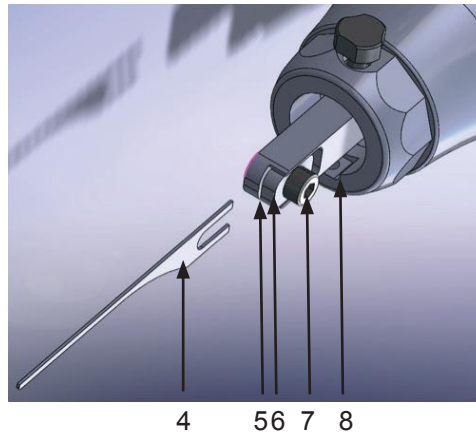
### +++ Attention +++

**Confirm the positive and negative battery terminals are oriented correctly.**



- Only use Li-Ion batteries.
- Do not use batteries which show damages (deformations).

### 6.2.0 Place pick needle

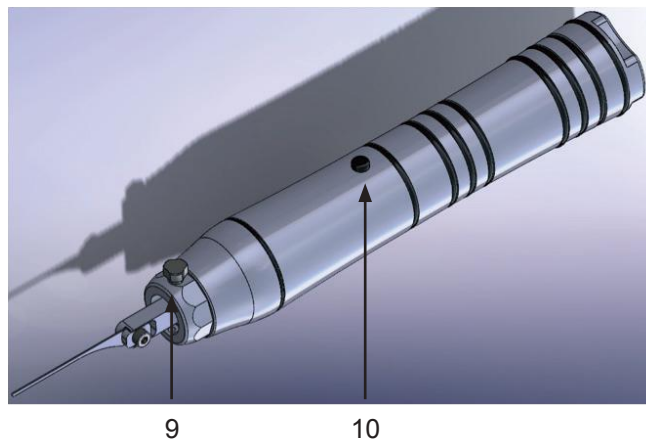


Open the clamp screw (7) with the included Allen key. Place the pick needle (4) into the resulting gap (5) between holder (8) and clamp (6) and push the pick needle all the way to the stop. Tighten the clamp screw (7) with the Allen key so that a firm hold of the needle is ensured.

Now MULTIPICK KRONOS is operational.

### 6.3.0 Work with MULTIPICK KRONOS

#### 6.3.1 Switch On and Off MULTIPICK KRONOS



To switch on the Multipick Kronos you activate the push button on top of the device. As soon as you release the push button (10), Kronos turns off.

#### 6.3.2 Adjust the amplitude

With the adjustment screw (9) on top of the device you may adjust the amplitude deflexion in a range of 1 – 4 mm while operating. Thanks to the pressure spring the adjustment screw is held at the adjusted position.



Turn the rotary button (9) to the left (anti-clockwise):  
- Amplitude increases

Turn the rotary button (9) to the right (clockwise):  
- Amplitude decreases

### 6.3.3 Operation

The maximal continuous running time should not exceed 10 minutes. A strong heating of the motor and the housing is possible. If the pick needle gets stuck inside the cylinder or on strong charge, the operation has to be stopped. The motor risks to get surcharged and electronic parts may be damaged. Furthermore it may happen that the battery gets surcharged. Thanks to the protection mechanism in the battery, it is protected. The motor would stop and the device would not be operational for about 2 to 4 seconds. Only protected batteries should be used for operating the electric pick gun.

To ensure a safe operation, only pick needles from Multipick should be used. The pick needles are only to be replaced while the device is switched off. The battery should be removed to avoid accidental switch on.

### 6.4.0 Care of device

Your device has been designed and manufactured with great care and should be treated alike. The following recommendations should help you to keep your warranty rights.



- Keep the device in dry area. Precipitations, humidity and all kinds of liquids and wetness may contain minerals which make electronic circuit corrode.
- If the device gets wet, remove the battery and leave the device to dry completely before reinserting the battery.
- Do not use the device in dusty or dirty environments, or store it there. Mobile parts and electronic components may be damaged.

### 6.5.0 Storage and careful manipulation



- Never expose MULTIPICK KRONOS to extremely high or low temperatures. High temperatures, such as strong insolation or storage next to hot sources, may damage the electronic or even risk explosion.
- Important differences of temperature may cause development of condensation inside the device. This may cause corrosion and damages in the electronic.
- Avoid dropping the device. Impacts, blows and other concussions may cause damages in the electronic or to mechanical parts.
- Clean MULTIPICK KRONOS only with a clean, dry and soft cloth.
- Using cleanser may cause damages to the surface of the MULTIPICK KRONOS.

### 7.0.0 Disposal



This product is not to be disposed of with the normal household garbage.



Ensure safe and environmentally friendly disposal of batteries, accumulators, production and other auxiliary material.



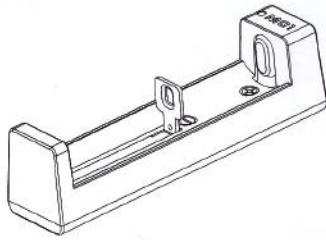
By dropping at the proper disposal site you contribute to protection to our environment.

### 7.1.0 Copyright



The copyright of this documentation remains in our property. The regulations and technical drawings in this documentation must not be copied or passed on to other persons, neither entirely nor partially.





## CHARGER MANUAL

### ■ Introduction:

- The MC1 is a professional portable lithium-ion battery charger with Mini appearance plus mini-USB charging port.
- MC1 can charge one 10440/ 14500/ 14650/ 16340/ 17500/ 17670/ 18350/ 18500/ 18650/ 18700/ 22650/ 25500/ 26650 3.6/3.7V rechargeable Li-ion battery. With a three-stage charge algorithm, battery activation feature, and real-time detection of battery status, MC1 charges batteries intelligently and safely.
- MC1 provides reverse-polarity and short-circuit protection. When MC1 is work at high ambient temperature, it will automatically lower charge current to avoid overheating. Soft-start function, to prevent damage to the battery from a large current surge.
- Built-in activation function allows MC1 to recover the over discharged batteries.

1

### ■ Usage:

- Before charging batteries, check that the battery types are compatible with the MC1.  
**Note:** Damage can occur to the batteries and charger if improper batteries are inserted into the MC1.
- Connect the MC1 to outer power supplier with USB cable, indicator will be green on; meanwhile, the charger is being standby status.
  - Insert one battery into the charging slot, being careful to insert it with the correct polarity. When the charge indicator turns red, the charger begins charging the battery.
  - When the battery is fully charged, the MC1 terminates charging, and the charging indicator turns green. It is recommended that you remove batteries from the charger once charging has completed.

### ■ Notice:

- The MC1 is used only for 10440/14500/14650/16340/17500/17670/18350/18500/18650/18700/22650/25500/26650 3.6/3.7V rechargeable Li-ion battery. Attempting to charge other battery types may be hazardous, and can damage the batteries and charger.
- Keep the MC1 away from water and excessive dust.
- Do not disassemble the MC1; Damage may result.
- Do not use the MC1 once it is broken.
- Net weight: 20g
- Size: L92\*W22\*H26mm

3

### ■ Warranty:

- 15 days free replacement. We will repair or replace a charger within 15 days of purchase if it is afflicted with a manufacturing defect. If the problem calls for a replacement, we will replace the charger with the same model as the one you bought. If the model has been discontinued, customers will receive a product with similar or improved performance.
- 24 months free repair. We offer free repair within 24 months of purchase if problems develop with normal use.
- Limited lifetime warranty. If problems develop after 24 months of the purchase date, we will charge for parts. The total repair fee will assess according to the cost of the replaced materials. If damage to the charger is grave, XTAR will contact distributors with a quote who should contact the customers to decide whether to exchange the parts or not. Freight should be paid by distributors or customers.
- (This warranty is not applicable for damages cause by artificial damage or intentional force.)

5

### ■ Charge Parameter:

Input	5.0V DC/500mA
Constant current output	500±50mA
Termination Voltage	4.20±0.05V
Termination Current	<40mA
Operation Temperature	0-40 °C

### ■ Performance:

#### ● LED indicator:

**Red on:** Battery is being charged.

**Green on:** Any of the following conditions:

- Charge is complete.
- No battery is inserted.
- Being activated.
- Poor connection.
- Slot is being short circuit.

**No LED on:** Battery polarity is reversed.

2

### ■ Tips:

- Because of different battery types, capacities, and over-discharge depths, the battery-revive time may vary; heavily over-discharged batteries may not be able to be revived.
- To top up a battery whose voltage is 4.1V or higher, insert the battery into the charger before plugging in the AC power cable. If you take the opposite operation, MC1 will probably not charge the battery.
- It is recommended that you remove batteries from the charger once charging has completed. If batteries are left in the charger after charging completes, the charger will automatically restart the charge cycle when the voltage drops below 4.1V.
- The MC1 has integrated short-circuit protection to protect the charger if a short circuit occurs in a battery. Note that this short-circuit protection protects the charger; it does not prevent batteries from short-circuiting internally.
- If this manual description has differences with the official website, please prevail official website.

4

FC CE RoHS

6